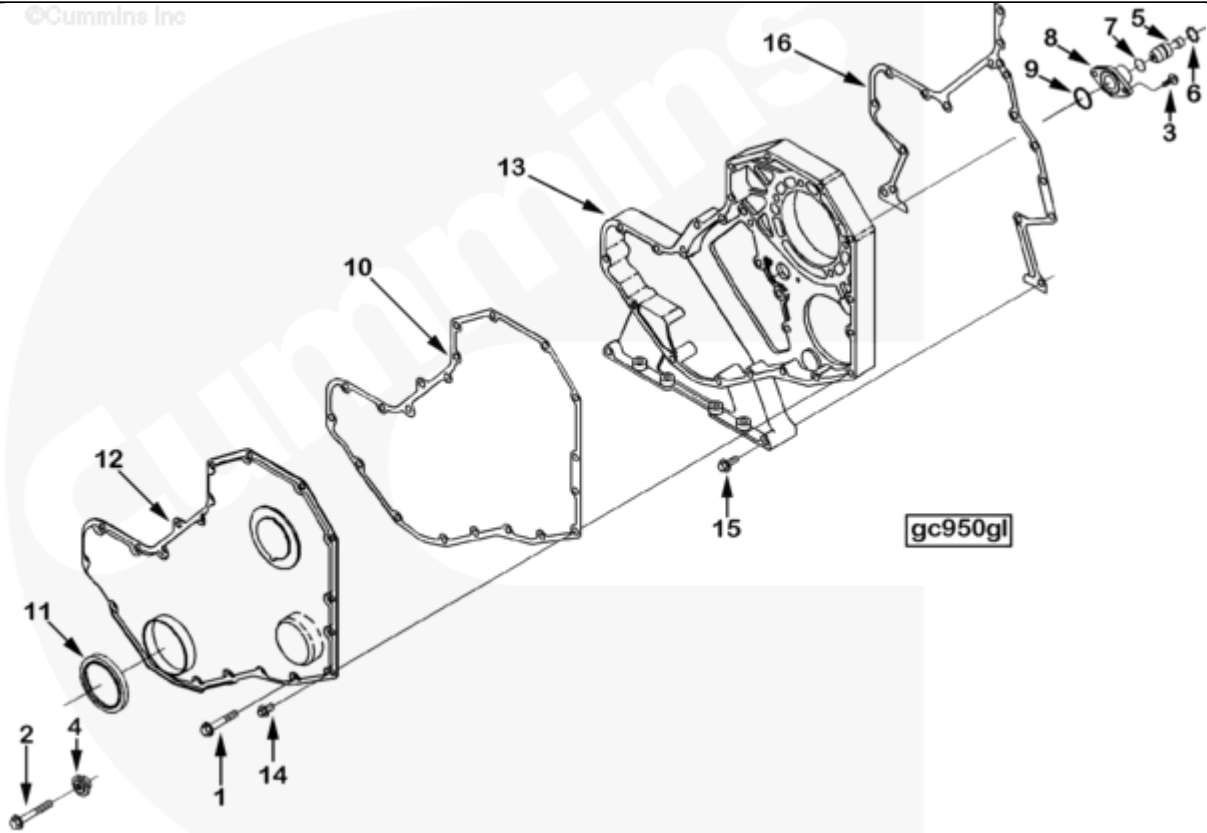




Parts Catalog - Option Detail

Electronic Parts Catalog - Option Detail				
Option	Group	Graphic	Film Card	Date
BP9835-02	01.06	gc950gl	T	26-NOV-96
Engines	4B3.9, 6A3.4, 6B5.9, B GAS INTERNATIONAL CM556, B4.5, B4.5 CM2350 B129B, B4.5 CM2350 B146C, B4.5 CM2350 B147B, B4.5 RGT, B4.5S, B5.9 G, B5.9 GAS PLUS CM556, B5.9 LPG, B5.9 LPG PLUS CM556, B6.7 CM2350 B121B, B6.7 CM2350 B135B, B6.7 CM2350 B136C, B6.7 CM2350 B148B, B6.7 G CMOH6.0 B125, B6.7N CM2380 B150B, B6.7S, F3.8 CM2350 F120B, F3.8 CM2350 F128C, F3.8 CM2350 F132B, F3.8 F102, G3.9, G5.9, G5.9 CM558, ISB (CHRYSLER), ISB CM2150, ISB CM2150 E, ISB CM550, ISB CM850, ISB/ISD4.5 CM2150 B119, ISB/ISD4.5 CM2150 SN, ISB/ISD6.7 CM2150 B120, ISB/ISD6.7 CM2150 SN, ISB/ISD6.7 CM2880 B126, ISB3.9 CM2220 B107, ISB4.5 CM2150, ISB5.9G CM2180, ISB6.7 2010 DCX PICKUP, ISB6.7 2013 DCX CHASSIS CAB, ISB6.7 CM2150 SQ, ISB6.7 CM2250, ISB6.7 CM2350 B101, ISB6.7 CM2350 B103, ISB6.7 CM2350 B142, ISB6.7 CM2670 B153B, ISB6.7 G CM2180 B118, ISBE CM2150, ISBE CM800, ISBE2/ISBE3 CM850, ISBE4 CM850, ISD4.5 CM2150, ISD6.7 CM2880 D101, ISF2.8 CM2220, ISF2.8 CM2220 AN, ISF2.8 CM2220 EC, ISF2.8 CM2220 ECF2, ISF2.8 CM2220 F101, ISF2.8 CM2220 F117, ISF2.8 CM2220 F122, ISF2.8 CM2220 F126, ISF2.8 CM2220 F129, ISF2.8 CM2220 IAN, ISF3.8 CM2220, ISF3.8 CM2220 AN, ISF3.8 CM2220 F103, ISF3.8 CM2220 F110, ISF3.8 CM2220 F116, ISF3.8 CM2220 F134B, ISF3.8 CM2220 IAN, ISF3.8 CM2350 F109, ISF4.5 CM2220 F123, ISG11 CM2880 G106, ISG11 CM2880 G108, ISG12 CM2880 G107, ISG12 CM2880 G109, ISG12 G CMOH6.0 G111, QSB3.9 30 CM550, QSB3.9 CM2880 B138, QSB4.5 30 CM550, QSB4.5 CM2150 B108, QSB4.5 CM2250 B131, QSB4.5 CM2250 EC, QSB4.5 CM2350 B106, QSB4.5 CM2350 B122			



SMALL | MEDIUM | LARGE

Cart	Ref No	Part Number	Part Description	Required	Remarks
<input type="button" value="View My Cart"/>					

		BP9835-02	Front Gear Cover		Front Gear Cover...(More)
					Engine Family: B Series
					Belt Retainer Provided: Yes
					Noise Dampening Panel
					Provided: No
					Access For Tach Drive: Yes
					Gear Housing Material: Cast
					Aluminum
					Structure Code: 02 EBM
					Restricted Fuel Pump:
					Bosch P7100
					DEP may omit 3912772 belt
					retainer and 3901446 capscrew
					and add 3900633 capscrew.
<input type="checkbox"/>	1	3900633	Hexagon Flange Head Cap Screw	10	M8 X 1.25 X 50
<input type="checkbox"/>	2	3901446	Hexagon Flange Head Cap Screw	1	M8 X 1.25 X 60.
<input type="checkbox"/>	3	3907998	Round Head Cap Screw	2	M5 X 0.80 X 17
<input type="checkbox"/>	4	3912772	Belt Retainer	1	
<input type="checkbox"/>	5	3903924	Timing Pin	1	
<input type="checkbox"/>	6	3904849	Retaining Ring	1	
<input type="checkbox"/>	7	3913994	O-Ring Seal	1	
<input type="checkbox"/>	8	3919683	Timing Pin Housing	1	
<input type="checkbox"/>	9	3915772	Rectangular Ring Seal	1	
<input type="checkbox"/>	10	3918673	Gear Cover Gasket	1	
<input type="checkbox"/>	11	3904353	Front Seal Service Kit	1	Includes Installation Tools
	12	3918675	Gear Cover	1	
	13	3920519	Gear Housing	1	
<input type="checkbox"/>	14	3924962	Hexagon Flange Head Cap Screw	11	M8 X 1.25 X 16
<input type="checkbox"/>	15	3926846	Hexagon Flange Head Cap Screw	5	M8 X 1.25 X 20.
<input type="checkbox"/>	16	3931351	Gear Housing Gasket	1	

